



# DATA SHEET

## Hall Effect Voltage Sensor

**PN: CHV\_AV15D5**

**IPN=200~1000V**

### Feature

- Closed- loop (compensated) voltage transducer
- Capable measurement of DC and AC voltage with galvanic isolation between primary circuit and secondary circuit.
- Supply voltage: DC  $\pm 12 \sim 15$  V

### Advantages

- High accuracy
- Easy installation
- Low temperature drift
- High immunity to external interference
- Very good linearity
- Can be customized

### Applications

- The application of induction cooker
- AC/DC variable-speed drive
- Uninterruptible Power Supplies (UPS)
- Switched Mode Power Supplies (SMPS)
- Inverter applications



RoHS



### Electrical data: (Ta=25°C, Vc= ±15VDC)

Parameter \ Ref	CHV200 AV15D5	CHV400 AV15D5	CHV600 AV15D5	CHV800 AV15D5	CHV1000 AV15D5
Rated input voltage V <sub>pn</sub> (V)	200	400	600	800	1000
Measuring range V <sub>p</sub> (V)	0 ~ ±280	0 ~ ±360	0 ~ ±840	0 ~ ±1120	0 ~ ±1400
Turns ratio N <sub>p</sub> /N <sub>s</sub> (T)	1000	1000	1000	1000	1000
Secondary coil resistance R <sub>S</sub> (Ω)	60	60	60	60	60
Output voltage V <sub>O</sub> (V)	±5.0*V <sub>P</sub> /V <sub>PN</sub>				
Supply voltage V <sub>C</sub> (V)	( ±12 ~ ±15 ) ±5%				
Accuracy X <sub>G</sub> (%)	@IPN,T=25°C		< ±0.5		
Offset voltage V <sub>OE</sub> (mV)	@IP=0,T=25°C		< ±40		
Temperature variation of V <sub>OE</sub> V <sub>OT</sub> (mV/°C)	@IP=0,-40 ~ +85°C		< ±0.5		
Linearity error ε <sub>r</sub> (%FS)	< 0.2				
Response time τ <sub>ra</sub> (μs)	@90% of IPN		<40.0		
Power consumption I <sub>C</sub> (mA)	15+I <sub>s</sub>				



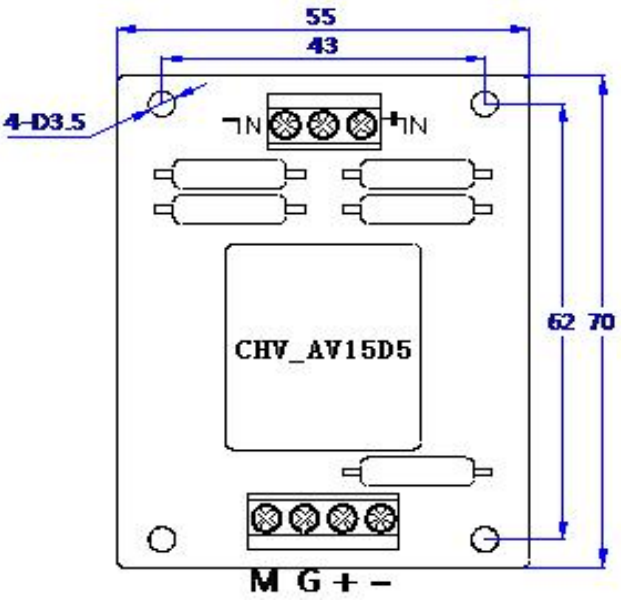
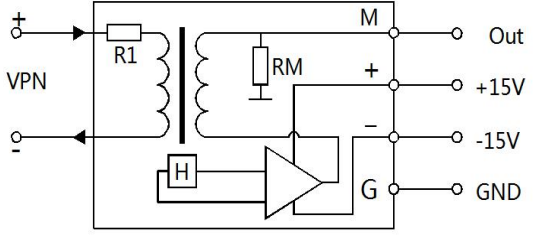
# Cheemi Technology Co., Ltd

Insulation voltage Vd(KV)	@50/60Hz, 1min,AC	2.5
---------------------------	-------------------	-----

## General data:

Parameter	Value
Operating temperature TA(°C)	-40 ~ +85
Storage temperature TS(°C)	-55~ +125
Mass M(g)	50
Plastic material	PBT G30/G15, UL94- V0;
Standards	IEC60950-1:2001
	EN50178:1998
	SJ20790-2000

## Dimensions(mm):

	<p>Connection</p> 
	<p>General tolerance</p>
	<p>General tolerance: &lt;math&gt;\pm 0.5\text{mm}&lt;/math&gt;  size of Primary pin :  DG301-5.0-03P ;  Secondary pin:DG301-5.0-04P</p>

## Remarks:

- When the current goes through the primary pin of a sensor, the voltage will be measured at the output end.
- Custom design is available for the different rated input current and the output voltage.

**WARNING : Incorrect wiring may cause damage to the sensor.**

